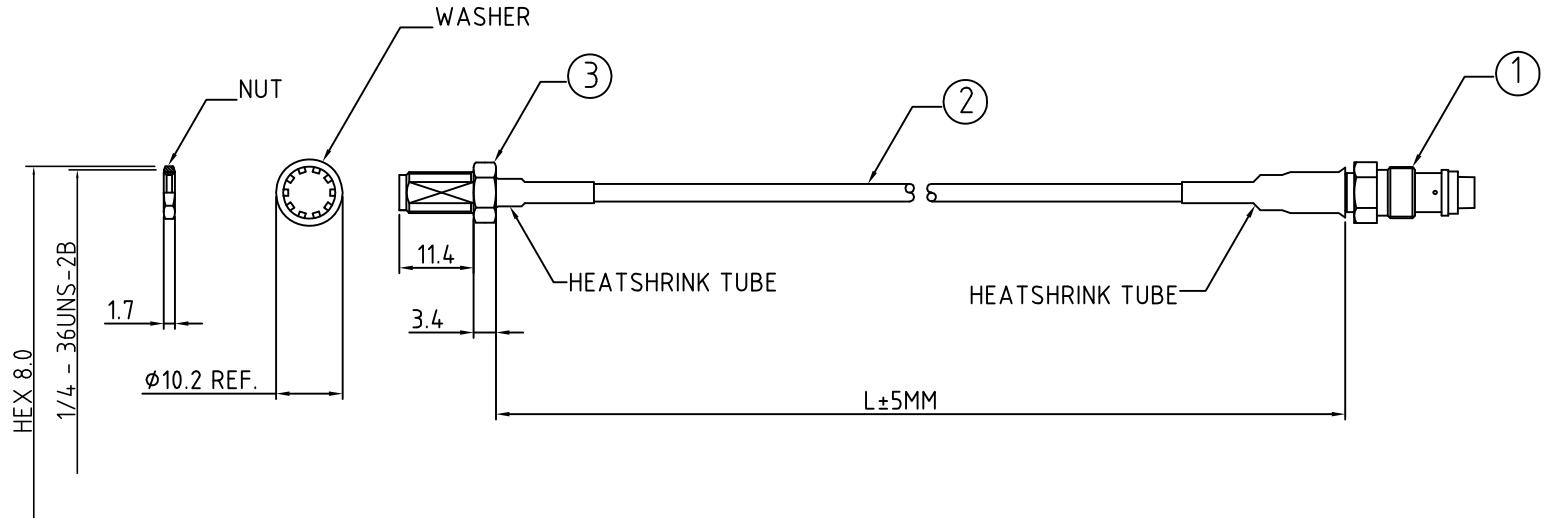


CABLE 073 RF: RF CABLE ASSEMBLY, SMA BULK JACK + FME ST JACK + RG174 CABLE - 3GHz

SPECIFICATIONS

1. FME STRAIGHT JACK (C30CA37174003), WITH THREAD M8XP0.75 ($\phi 7.8 \pm 0.05$)
2. RG174 COAXIAL CABLE, BLACK
3. SMA ST BULKHEAD JACK (C02ABWS174003C), GOLD

NOTES:
1. ELECTRICAL WORKING FREQUENCY RANGE: DC-3GHz Δ



HOW TO ORDER

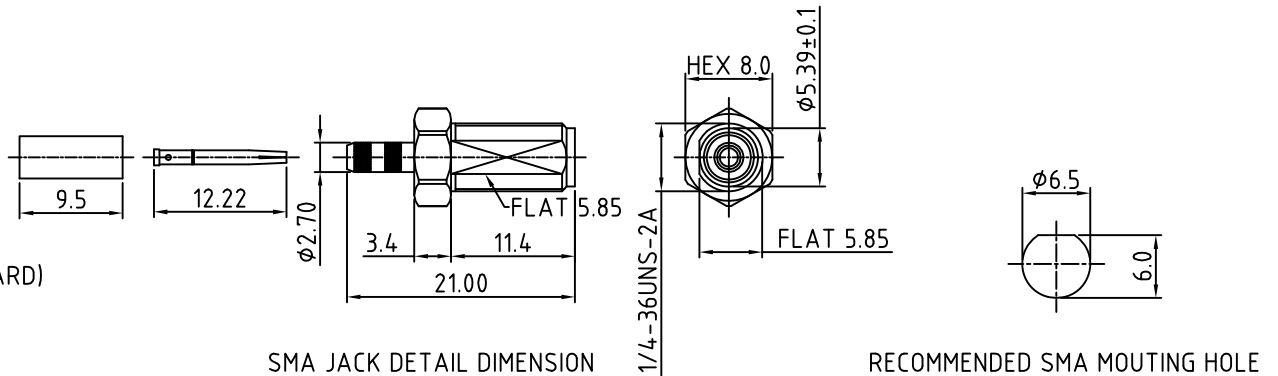
CABLE 073 RF - X X X X - X

"L" LENGTH IN MM

eg: 100MM = 0100
(MIN. = 0050, MAX. = 2000
STANDARD = 0100, 0150, 0200)

WASHER AND NUT OPTIONS:

BLANK = SEPERATELY PACKED (STANDARD)
A = ASSEMBLED WITH CONNECTOR



SMA JACK DETAIL DIMENSION

RECOMMENDED SMA MOUTING HOLE

REV. DATE & DRN
10 26/03/09 - CHC RELEASE
11 26/08/09-PCY
 Δ ADD WORKING FREQUENCY RANGE

Scale: NTS	THIRD ANGLE	Unstated .X .XX .XXX ANGLES	Tolerances: ±0.2 ±0.1 ±0.05 ±5	Material SEE NOTE
Drawn: CHC				
App'd: XXX	Title CABLE ASSEMBLY	NOT TO SCALE		
Date: 26 AUG '09	Revision: 1.1	Unit: mm		

www.gradconn.com

Δ THIS DRAWING IS CONFIDENTIAL AND MUST NOT BE COPIED OR DISCLOSED WITHOUT WRITTEN CONSENT

Type: Cable 073 RF
CABLE 073 RF
Drawing Number:
Sheet 1 of 1
Drawing Δ E and O E